

STAINLESS STEEL FLOATING BALL VALVE MALE BSP

Stainless steel floating ball valve male BSP for watering and water distribution.
Settable compensator.
EPDM and FKM gasket.



Size : DN3/4"
Connection : Male BSP
Min Temperature : -5°C
Max Temperature : +90°C
Max Pressure : 8 Bars (6 bars for ball D.180)
Specifications : Settable compensator
Horizontal position
Stainless steel valve

Materials : Stainless steel AISI 304

SPECIFICATIONS :

- With tuning compensator
- Horizontal position
- Male stainless steel valve threaded BSP
- AISI 316 ball
- AISI 304 needle and seat

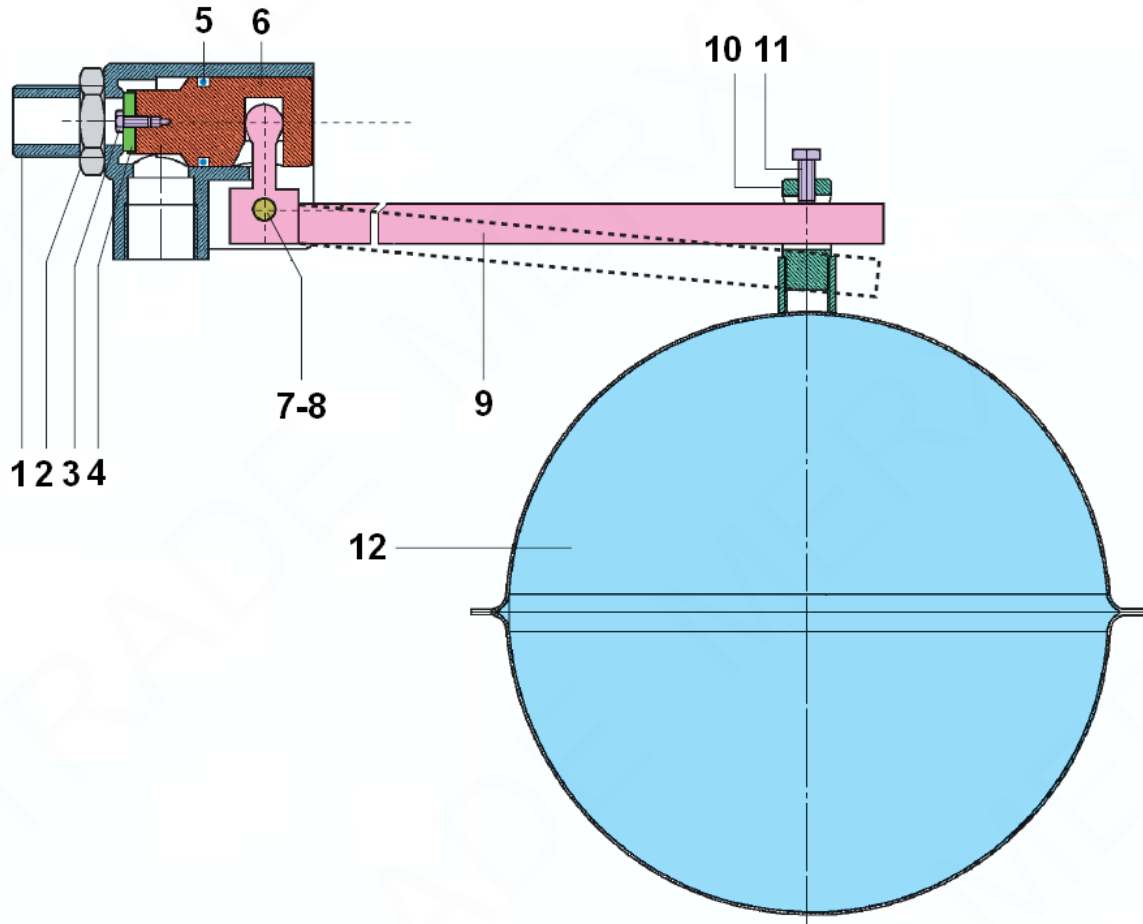
USE :

- Water distribution and watering
- Min and max Temperature Ts : - 5°C to + 90°C
- Max Pressure Ps : 8 Bars for ball D.245 mm and 6 bars for ball D.180 mm
- Check the floating ball valve can move correctly after installation
- Do not cut the compensator

RANGE :

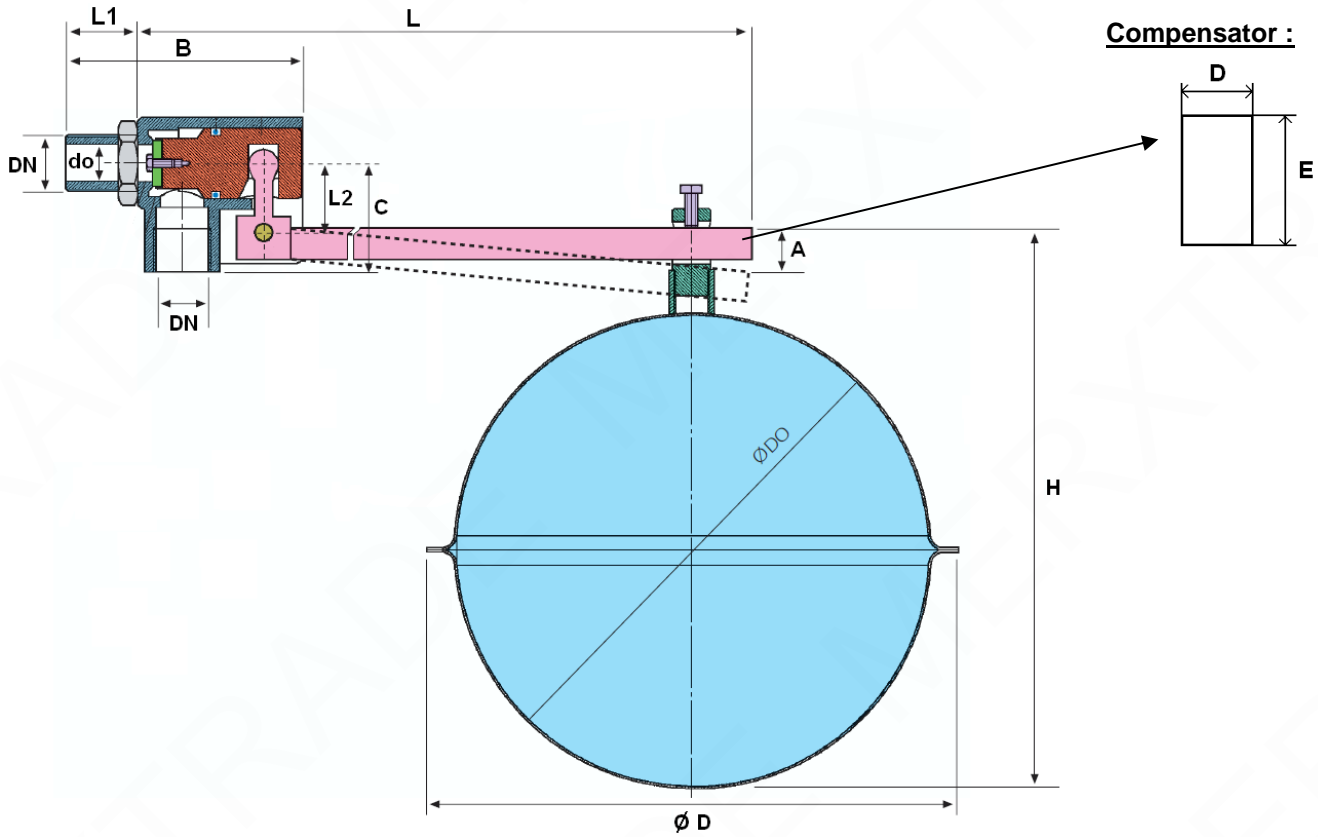
- Stainless steel male valve threaded 3/4" BSP with stainless steel ball D.180 mm **Ref. 4941061**
- Stainless steel male valve threaded 3/4" BSP with stainless steel ball D.245 mm **Ref. 4941082**

MATERIALS :



Item	Designation	Materials
1	Body	AISI 304
2	Nut	
3	Screw	
4	Gasket	
5	O ring	FKM
6	Needle	EPDM
7	Screw	
8	Nut	
9	Compensator	
10	Float connection part	
11	Screw	AISI 304
12	Ball	
		AISI 316

SIZE (in mm) :



DN	3/4"	3/4"
L	460.5	460.5
L1	33	33
L2	32	32
H	216	259
A	96	96
B	109	109
C	50.5	50.5
Ø D	186	245
Ø D0	180	220
Ø do	17.5	17.5
D	5	5
E	20	20
Weight (Kg)	2.16	2.68
Ref.	4941061	4941082

STANDARDS :

- Manufacturer certified ISO 9001 : 2015
- DIRECTIVE 2014/68/EU : Products excluded from directive (Article 1, § 2b)
- Threaded BSPP cylindrical ends according to ISO 228-1

ADVICE : Our opinion and our advice are not guaranteed and MERXTRADE shall not be liable for the consequences of damages. The customer must check the right choice of the products with the real service conditions.

INSTALLATION INSTRUCTIONS

GENERAL GUIDELINES :

- Ensure that the valves to be used are appropriate for the conditions of the installation (type of fluid, pressure and temperature).
- Ensure that the valves installed according to actual norms.
- Ensure there are no external articles which could perturb the functioning of the valve. The compensator must move freely
- When installing with outside opened tank, ensure that no external articles could perturb the functioning of the valve or block the compensator.

INSTALLATION INSTRUCTIONS :

- **Before installing the valves, clean and remove any objects from the pipes** (in particular bits of sealing and metal) which could obstruct and block the valves.
- When installing with outside opened tank, provide a protection for the ball and the compensator to avoid problems with external articles. This protection should be opened at the top and at its bottom so that it doesn't involve the reel high of the fluid. The protection height should be at least equal to the compensator movement height. The compensator and the ball must not touch the protection.
- The compensator must not be cutted.
- To avoid a blocking of the compensator, a regular check is necessary.